

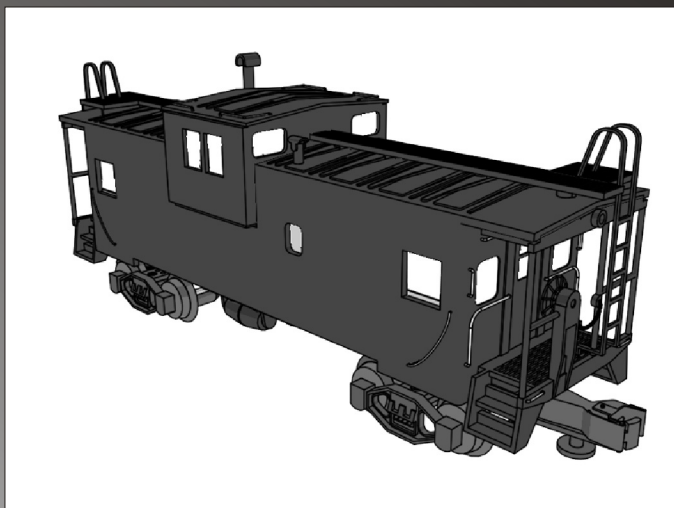


# M.T.H.

ELECTRIC TRAINS, INC.

7020 Columbia Gateway Drive  
Columbia, MD 21046-1532

[www.mth-railking.com](http://www.mth-railking.com)



The Premier Extended Vision Caboose offers a new level of excitement and realism for your O Gauge model railroad. Constructed from sturdy ABS plastic, the Extended Vision Caboose was created from quality components and has been designed for years of operation.

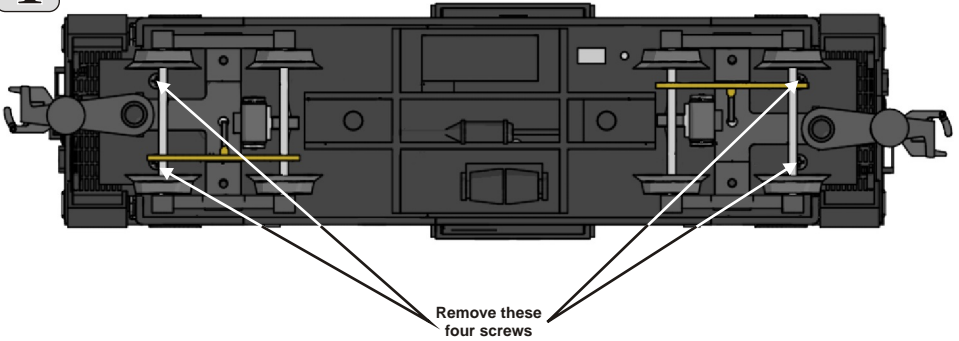
The Premier Extended Vision Caboose comes fully assembled, decorated and ready for use right out of the box. The Extended Vision Caboose features an illuminated interior and exterior marker lights, controlled from track power. Use and operation is made easy by following the instructions on the following pages.

# Extended Vision Caboose

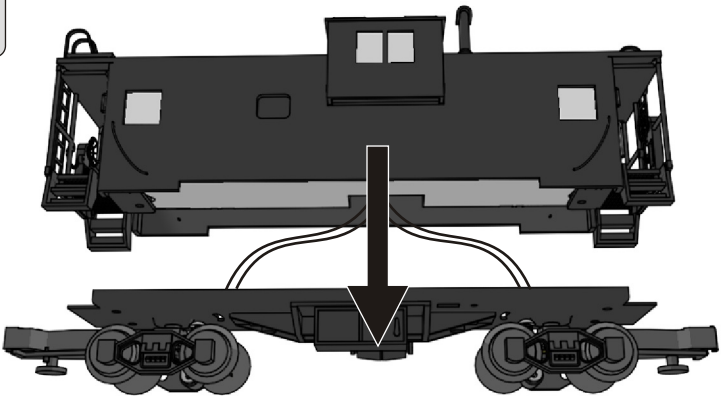
# INSTRUCTIONS

To replace the interior light bulbs, follow these steps. **STEP 1** To remove the shell from the chassis, remove the four mounting screws located underneath the trucks. **STEP 2** With the four screws removed, lower the chassis from the shell, take care not to pull the wires out.

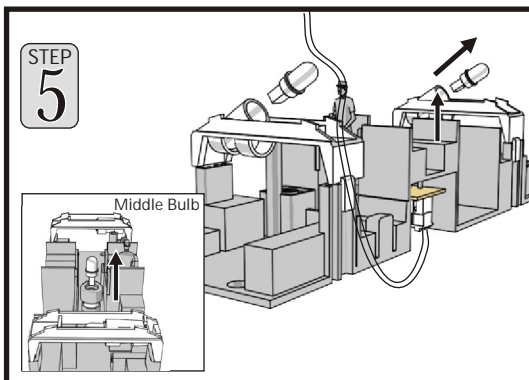
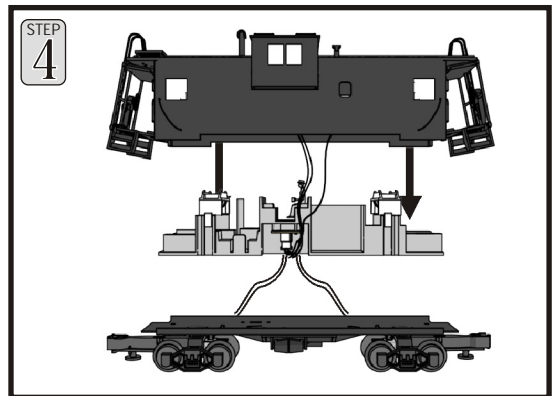
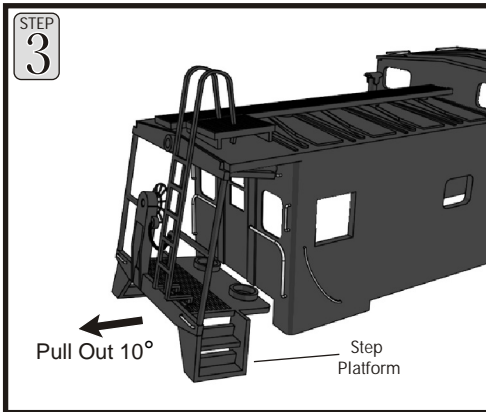
STEP  
1

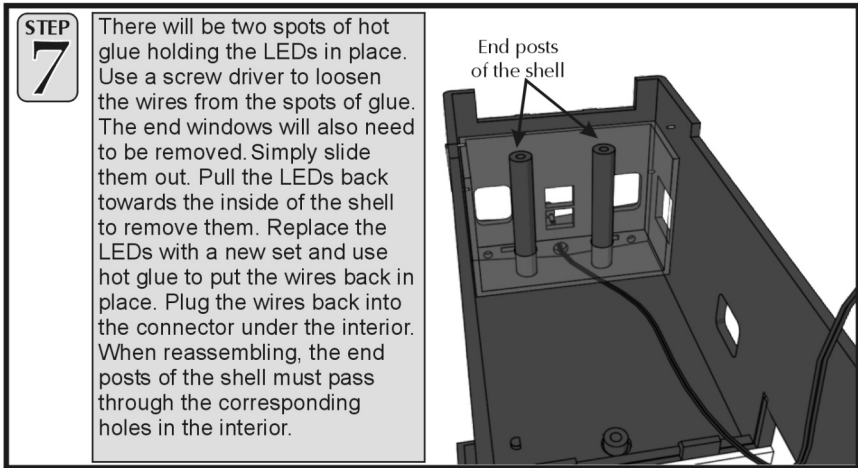
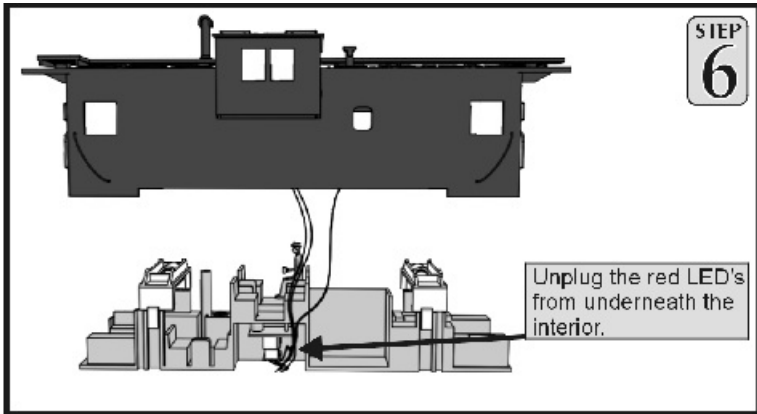


STEP  
2



**3** To be able to separate the interior from the shell you need to loosen the step platform from both ends. In order to loosen the step platforms grasp them by the bottom and pull out from the end about 10°. **4** With the step platforms loosened you can then lower the interior from the shell (to completely remove the body from the interior, go to Step 6 which is found on page 4). **5** You can now replace the bulbs by pushing the socket up from the bulb holder and pulling the bulb from its socket. Replace the middle bulb simply by pulling it from its socket. Replace with a new one, and reverse the steps to reassemble the caboose. To replace the two red LED lights at the end of the caboose follow steps 1-7.





You can obtain replacement bulbs directly from the M.T.H. Parts Department (phone: 410-381-2580; e-mail: [parts@mth-railking.com](mailto:parts@mth-railking.com); mail: 7020 Columbia Gateway Drive, Columbia MD 21046-1532







# LIMITED ONE-YEAR WARRANTY

**All M.T.H. products purchased from an Authorized M.T.H. Train Merchant are covered by this warranty.**

See our Website at [www.mth-railking.com](http://www.mth-railking.com) or call 1-888-640-3700 to identify an Authorized M.T.H. Train Merchant near you.

MTH products are warrantied for one year from the date of purchase against defects in material or workmanship, excluding light bulbs and traction tires. We will repair or replace (at our option) the defective part without charge for the parts or labor, if the item is returned to MTH Electric Trains, Inc. within one year of the original date of purchase. This warranty does not cover damages caused by improper care, handling, or use. Transportation costs incurred by the customer are not covered under this warranty.

Items sent for repair must be accompanied by a return authorization number, a description of the problem, and the **original sales receipt from an Authorized M.T.H. Train Merchant**, which gives the date of purchase. Call 410-381-2580, fax 410-423-0009, or e-mail the Service Department at [service@mth-railking.com](mailto:service@mth-railking.com) to obtain a return authorization number.

This warranty gives you specific legal rights, and you may have other rights that vary from state to state.

Service Department  
M.T.H. Electric Trains, Inc.  
7020 Gateway Drive  
Columbia MD 21046-1532