

LIONEL ELECTRIC TRAINS

MODEL RAILROAD
ACCESSORIES

LIONEL CORPORATION TINPLATE

by M.T.H. Electric Trains®

Super 381 Electric Locomotive

OPERATOR'S MANUAL (CONTEMPORARY)

Compatibility

This engine will operate on any traditional Standard Gauge tubular track system, with a minimum curvature of 72" diameter, including M.T.H.'s tubular track. It is also compatible with most standard AC transformers. (See page 17 for a complete list of compatible transformers and wiring instructions.)



Passenger Station Announcement

PLEASE READ BEFORE USE AND SAVE
www.lionelcorporation.com

Table of Contents

Set Up Checklist	3
Lubrication.....	3
Checking the Battery.....	3
Coupler.....	4
Basic Operation	4
Activating Features.....	4
Proto-Sound® 2.0 Operating Instructions	6
Activating Proto-Sound 2.0 Conventional Mode Features.....	6
Freight Yard Sounds (FYS).....	7
Speed Control.....	8
Locking Locomotive Into A Direction.....	9
Reset To Factory Default.....	9
Automatic Sound Effects.....	9
Maintenance	10
Lubricating and Greasing Instructions.....	10
Cleaning The Wheels, Tires and Track.....	11
Headlight Replacement Instructions.....	11
Self Charging Battery Back-Up.....	12
Gaining Access to Battery.....	13
Troubleshooting Proto-Sound® 2.0 Problems.....	14
Transformer Compatibility and Wiring Chart.....	17
Additional Features Accessible with the DCS Remote Control System...	18
Service & Warranty Information.....	19

CAUTION: ELECTRICALLY OPERATED PRODUCT:

Recommended for Ages 14 and up. Not recommended for children under 14 years of age without adult supervision. As with all electric products, precautions should be observed during handling and use to prevent electric shock.

WARNING: When using electrical products, basic safety precautions should be observed, including the following: Read this manual thoroughly before using this device.

- M.T.H. recommends that all users and persons supervising use examine the hobby transformer and other electronic equipment periodically for conditions that may result in the risk of fire, electric shock, or injury to persons, such as damage to the primary cord, plug blades, housing, output jacks or other parts. In the event such conditions exist, the train set should not be used until properly repaired.
- Do not operate your layout unattended. Obstructed accessories or stalled trains may overheat, resulting in damage to your layout.
- This train set is intended for indoor use. Do not use if water is present. Serious injury or fatality may result.
- Do not operate the hobby transformer with damaged cord, plug, switches, buttons or case.

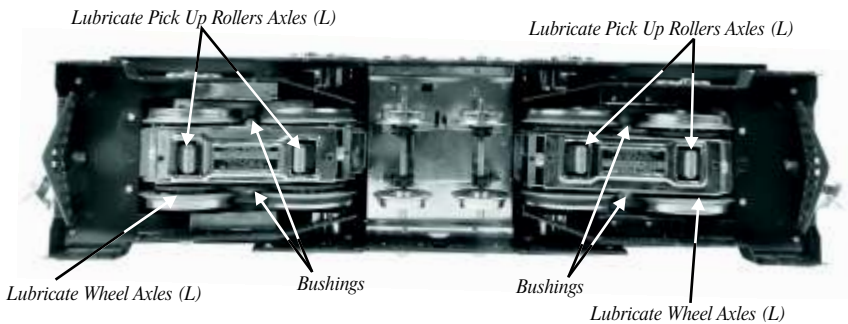
This product may be protected by one or more of the following patents: 6,019,289; 6,280,278; 6,281,606; 6,291,263; 6,457,681; 6,491,263; 6,604,641; 6,619,594; 6,624,537; 6,655,640.

Set Up Checklist

- Lubricate the locomotive
- Check to see whether the battery needs to be charged for full sound effects
- Apply power to run as described in the Basic Operating Section of this manual.

Lubrication

You should lubricate the engine to prevent it from squeaking. Use light household oil and follow the lubrication points marked "L" (shown below). Do not over-oil. Use only a drop or two on each pivot point.



Lubrication Points on the Locomotive

Checking the Battery

You may find, if your locomotive was built several months before you set it up, that the rechargeable battery has run down and needs to be charged before operating. If you notice that the sounds are garbled, test and charge the engine as described in the "Self-Charging Battery Back-Up" on page 12.

Basic Operation

The Throttle knob controls how fast your train will travel.

Turn the throttle knob up $\frac{1}{2}$ -way, until the engine lights shine bright.

Put the engine into motion by pressing the Direction button on your transformer once. (hold it for approximately 1 second)

If the engine does not begin to move as soon as you firmly press the Direction button, you may not have sent enough voltage to the track to make the train move. Turn the throttle up a bit higher until the train begins to move.

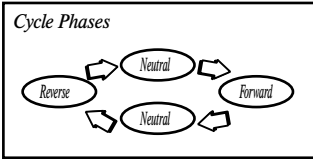
Activating Features

Throttle - To increase or decrease track voltage, and therefore train speed, turn the throttle control knob. Turning clockwise will increase voltage and speed, while turning counterclockwise will decrease voltage and speed. The engine will maintain the speed you set after you release the throttle until you turn it again to change the voltage and speed.

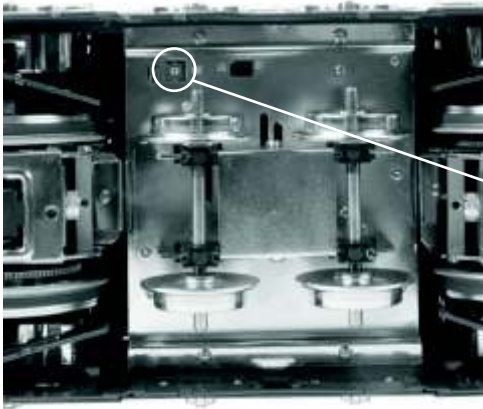
Bell - To sound the bell, in an engine equipped with a bell firmly press and release the Bell button. To turn the bell off, press and release the Bell button again. The bell will continue to ring from the time you turn it on until you press and release the button again to turn it off.

Horn/Whistle - To sound the whistle, firmly press the Horn/Whistle button. The whistle will sound for as long as you continue to depress the button. It will stop when you release the button.

Direction - Your train is programmed to start in neutral. The train will always cycle neutral-forward-neutral-reverse with each press and release of the direction button. The engine is programmed to restart in neutral each time the track voltage is turned off for 25 seconds or more.



Manual Volume Control - To adjust the volume of all sounds made by this engine, turn the manual volume control (shown below) clockwise to increase the volume and counter-clockwise to decrease the volume.



Manual Volume Control

Manual Volume Control

Proto-Sound® 2.0 Operating Instructions

This manual contains the operating instructions for Proto-Sound® 2.0 in conventional mode only. Instructions for accessing DCS command mode features accompany the DCS Remote Control System equipment.

Activating Proto-Sound® 2.0 Conventional Mode Features

Proto-Sound® 2.0 features are activated by sequences of Bell and Horn button pushes described below. Please read the full descriptions of each feature before using it. To use these buttons to activate features rather than to blow the horn or ring the bell, you should tap the buttons very quickly with a 1/2-second pause between button presses. You may need to practice your timing to make this work smoothly.

<i>Timing Chart</i>				
<i>Press Whistle Short & Firm</i>	<i>1/2 Sec. Pause</i>	<i>Press Bell Short & Firm</i>	<i>1/2 Sec. Pause</i>	<i>Press Bell Short & Firm</i>
<i>Total Time Lap se: 1 1/2 Seconds</i>				

<i>Feature to Be Activated</i>	<i>Button Code:</i>
Freight Yard or Passenger Station Sounds	1 Bell, 2 Horn/Whistles
Fire the Rear Coupler	1 Bell, 3 Horn/Whistles
Fire the Front Coupler	1 Bell, 4 Horn/Whistles
Speed Control On/Off	1 Horn/Whistle, 2 Bells (from Neutral only)
Lock into a Direction	1 Horn/Whistle, 3 Bells
Reset to Factory Defaults	1 Horn/Whistle, 5 Bells (from Neutral only)

Freight Yard Sounds (FYS) or Passenger Station Announcements (PSA):

Your engine is equipped with a sound package of either freight yard or passenger station sounds that you can play. **Each sequence described below will play as long as it is left on, randomly generating sounds, but be sure to allow approximately 30 seconds between the button pushes described below to allow the FYS/PSA sufficient time to run through each sequence.**

- To cue the sound system to play the FYS/PSA, quickly but firmly tap the Bell button once followed by 2 quick taps of the Horn/Whistle button while the engine is moving. Tap the buttons quickly but allow approximately 1/2 second between each press.
- Press the Direction button once to stop the engine. This will trigger the first sequence of FYS/PSA. The reverse unit is temporarily disabled so that the train will not move as you use the Direction button to trigger the sounds, and Proto-Sound 2.0 has disabled operator control over the Horn/Whistle and Bell buttons until the full FYS/PSA sequence is complete.
- After waiting about 30 seconds for that sequence to run, press the Direction button again to trigger the second sequence of FYS/PSA.
- After about 30 seconds, press the Direction button again to trigger the third FYS/PSA sequence.
- Again, after allowing about 30 seconds for that sequence to run, press the Direction button. FYS/PSA will continue, and within a few seconds, the engine will start and move out on its own at the current throttle setting, in the same direction it was traveling when you began the sequence. Once the bell turns off, the operator regains control of the transformer's Bell and Horn/Whistle buttons and can ring the bell or blow the horn/whistle as usual.

Tips on Using FYS/PSA

- You can terminate FYS/PSA at any time by turning off power to the track for 15 seconds.
- You do not have to be in Forward to use FYS/PSA. At the conclusion of the full sequence, the train will pull away from the station in whatever direction you were going when you activated the feature.
- You can use FYS/PSA even if you are double-heading with another engine. If the second engine is not equipped with Proto-Sound 2.0, you must remember not to leave the throttle at a high voltage level once you have stopped the engine to run the FYS/PSA. Otherwise, the engine without FYS/PSA will begin vibrating on the track as its motors strain to move the train, since they cannot be automatically disabled during the FYS/PSA cycle (or if an original Proto-Sound engine, FYS/PSA are triggered differently and that engine's motor-disable feature will not be active when you run FYS/PSA in Proto-Sound 2.0).
- FYS/PSA can be triggered from Neutral. It will operate the same as if triggered while in motion except that, at the conclusion of the FYS/PSA, the engine will depart in the next direction of travel, as opposed to the direction it was traveling before entering Neutral.

Speed Control

M.T.H. engines equipped with Proto-Sound 2.0 have speed control capabilities that allow the engine to maintain a constant speed up and down grades and around curves, much like an automobile cruise control. You can add or drop cars on the run, and the engine will maintain the speed you set. While the engine is programmed to start with the speed control feature activated, you can opt to turn it off. This means the engine's speed will fall as it labors up a hill and increase as it travels downward. It is also affected by the addition or releasing of cars while on the run. Because the engine will run more slowly at a given throttle voltage when speed control is on than when it is off, you should adjust the throttle to a lower power level for operation with speed control off to avoid high-speed derailments. When speed control is off, the volume will drop to allow for better low voltage operation.

To turn speed control on and off, put the engine in neutral, then quickly tap the transformer's Horn button one time then quickly tap the Bell button two times, allowing approximately 1/2 second to lapse between each quick button press. Two horn blasts will indicate that the engine has made the change. Repeat the 1 horn, 2 bells code to return it to the other condition. You will want to do this during the initial neutral upon start-up if you ever couple this engine to another engine that is not equipped with speed control to avoid damaging the motors in either engine. Each time you shut down the engine completely, it will automatically turn speed control on.



*Place
Engine into
Neutral*



=

*Speed Control
Two Whistle Blasts
(indicates change is made)
Repeat to Return
to Normal Condition*

Locking Locomotive Into a Direction

You can lock your engine into a direction (forward, neutral, or reverse) so that it will not change directions. To do this, put the engine into the direction you want (or into neutral to lock it into neutral), run it at a very slow crawl (as slowly as it will move without halting), and quickly but firmly tap the Horn button once followed by three quick taps of the Bell button, allowing approximately 1/2 second to lapse between each quick button press. Two horn blasts will indicate that the engine has made the change. The engine will not change direction (including going into neutral) until you repeat the 1 horn, 3 bells code to return the engine to its normal condition, even if the engine is kept without power for extended periods of time.

*Place
Engine into
Desired
Direction*



*Direction Lock
Two Whistle Blasts
(indicates change is made)
Repeat to Return
to Normal Condition*

Reset To Factory Default

To override the settings you currently have assigned to the engine and reset it to its factory defaults, while in Neutral tap the Horn button quickly once, followed by five quick taps of the Bell button, allowing approximately 1/2 second to lapse between each quick button press. Two horn blasts will indicate that the engine has made the change.

*Place
Engine in
Neutral*



*Reset
Two Whistle Blasts
(indicates change is made)
Repeat to Return
to Normal Condition*

Automatic Sound Effects

Certain Proto-Sound 2.0 sound effects automatically play in programmed conventional mode conditions:

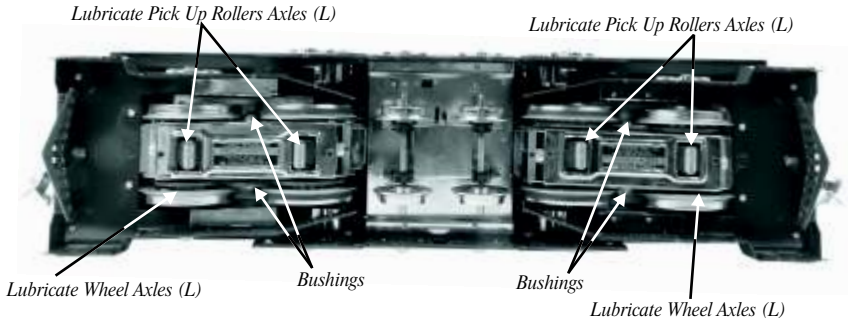
- Squealing Brakes play any time the engine's speed decreases rapidly.
- Cab Chatter plays at random intervals when the engine idles in neutral.
- Engine Start-up and Shut-down sounds play when the engine is initially powered on or is powered off for five seconds or more.

Maintenance

Lubricating and Greasing Instructions

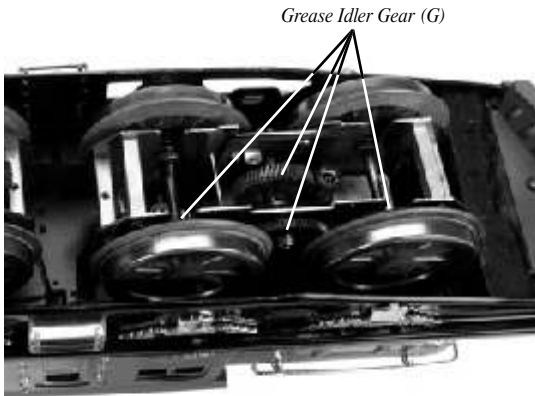
The engine should be well oiled and greased in order to run properly.

Regularly lubricate all axles and pickup rollers to prevent squeaking. Use light household oil, such as that found in M.T.H.'s maintenance kit. Do not over oil. Use only a drop or two on each pivot point.



Lubrication Points on Engine

The locomotive's internal gearing was greased at the factory and should not need additional grease. However, it will be necessary to lubricate the idler gears located next to the drive wheels with grease every 25 hours of operation. Follow the greasing points illustrated (shown below).



Grease Idler Gears



Cleaning The Wheels, Tires, and Track

Periodically check the locomotive wheels and pickups for dirt and buildup, which can cause poor electrical contact and traction and prematurely wear out the neoprene traction tires. Wheels and tires can be cleaned using denatured (not rubbing) alcohol applied with a cotton swab.



To clean the track, use RailKing Track Cleaning Fluid found in Maintenance Kit (30-50010) or denatured (not rubbing) alcohol and a clean rag. Unplug the transformer and wipe the rails of the track, turning the rag frequently to ensure that you are using clean cloth on the rails. Thereafter, keep an eye on the track and clean it when it gets dirty to ensure good electrical contact and to lengthen the life of the tires.



Maintenance Kit (30-50010)

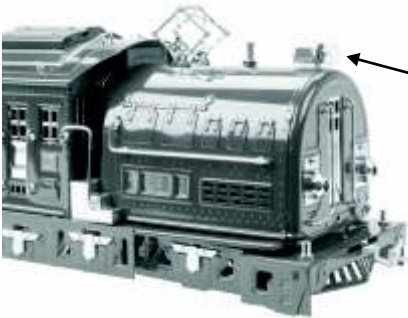
Clean any type of track with this heavy-duty track cleaning block (40-1099). Durable constructed from ABS plastic, the block includes a built-in cleaning pad. For really stubborn track, you can insert sandpaper into the block in just a few quick steps.



Track Cleaning Block (40-1099)

Headlight Replacement Instructions

The locomotive's headlights and marker lights are controlled by a constant voltage circuit in the engine. The headlight is easy to remove and replace when it burns out. The bulb(s) simply unscrew from their sockets. Replacement bulbs are available directly from the M.T.H. Parts Department. (Order online: www.mth-railking.com, e-mail: parts@mth-railking.com, Fax: 410-423-0009, Phone: 410-381-2500, Mail: 7020 Columbia Gateway Drive, Columbia MD 21046-1532,).



Replaceable Headlight

Headlight Replacement

Lionel Corporation Super 381 Electric Engine

Self Charging Battery Back-up

The special rechargeable 2.4v self-charging battery recharges continuously during train operation and should last for up to five years. The battery is a dry battery that should not leak or cause any damage to your engine. Depending upon when your engine was built, it may need to be charged right out of the box. If engine sounds seem distorted or garbled at low voltages or become silent when power from the transformer is turned off, test the battery to determine whether it should be recharged or replaced.

Test: Put the engine in neutral and leave the track voltage at 10-12 volts (high enough for the lights to shine brightly) for 15 minutes.

Recharge: If the sounds are improved at the end of the 15-minute test charge, the battery charge has run down and can be recharged. There are a number of ways you can do this:

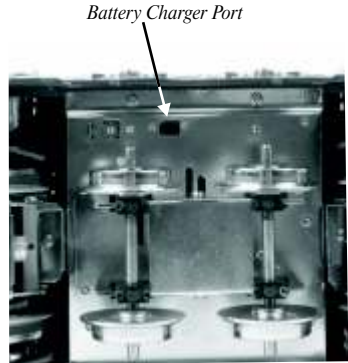
- Leave the engine in neutral with track voltage at 10-12 volts for 6-7 hours so the battery can fully recharge (if your engine has a smoke unit, be sure it is turned off).
- Use M.T.H.'s battery recharger (Item No. 50-1019) (sold separately) that plugs into a wall outlet and a special port under the engine to recharge the battery overnight without leaving it on the track.

Replace: If the sounds are not improved at the end of the 15-minute test charge, it is time to replace the battery. Available through M.T.H. Parts:
(Item No. 50-1024) AA NiCad Proto-Sound® Battery (Blue Casing)
(Item No. BG4000004) AAA NiMH Proto-Sound® Battery (Green Casing)

Disconnect Battery And Slide Out Of Bracket



Battery Location



Battery Charger Port location.

DO NOT substitute alkaline batteries for these rechargeable batteries. Using alkaline batteries in this system can result in damage to the PS 2.0 circuit board and/or the batteries.

Do not use alkaline batteries for testing or checking purposes for the 3-Volt PS2 boards. Using alkaline batteries will damage the 3-Volt battery charging circuit.

Gaining Access to the Battery

The battery is located in the center cab section and is accessible from the underside of the locomotive. To gain access to the battery the body must be removed from the chassis.

Remove the 2 screws that support the swinging pilot at each end of the hood. There is one screw on each end of the locomotive at the bottom of each end door. Remove the 4 screws on the underside of the cab.

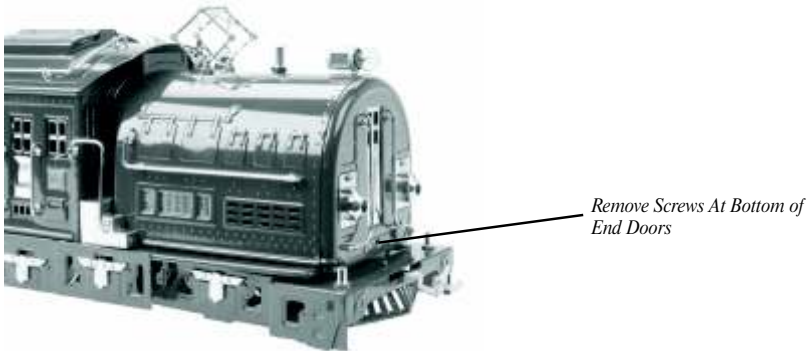
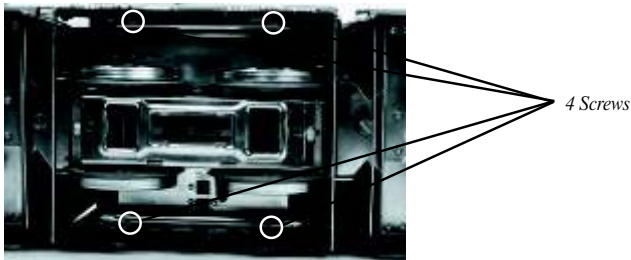
This will allow the cab to separate enough to unplug the battery and remove.

Install a new battery by plugging in the connector and inserting the battery into the holder.

Reattach the body and chassis.

When replacing the screws under the end doors, make sure that the screws are supporting the brackets for the swinging pilot.

Remove the 4 screws that attach the cab shell to chassis



Troubleshooting Proto-Sound® 2.0 Problems

Although Proto-Sound® 2.0 has been designed and engineered for ease of use, you may have some questions during initial operation. The following table should answer most questions. If your problem cannot be resolved with this table, contact M.T.H. for assistance (www.mth-railking.com, e-mail: parts@mth-railking.com, Fax: 410-423-0009, Phone: 410-381-2500, Mail: 7020 Columbia Gateway Drive, Columbia MD 21046-1532,).

Starting Up	Remedy
<i>When I first turn the power on, the engine will not begin to run. I have to turn the throttle off and then on again to get the engine to operate.</i>	<i>This is normal behavior. To prevent accidental high-speed start-ups, Proto-Sound 2.0 is programmed to start up in neutral anytime track power has been turned off for several seconds.</i>
Whistle/Horn	Remedy
<i>When I press the whistle/horn button, the bell comes on instead.</i>	<i>Reverse the transformer leads.</i>
<i>I can't get the horn to blow when I press the whistle button.</i>	<i>You may be pressing the button too quickly. Try pressing the whistle/horn button more slowly, taking approximately one full second to fully depress the button.</i>
Bell	Remedy
<i>When I press the whistle button, the bell sounds.</i>	<i>Reverse the transformer leads.</i>
<i>I can't get the bell to ring when I press</i>	<i>You may be pressing the button too quickly. Try pressing the bell button more slowly, taking approximately one full second to fully depress the button.</i>
<i>The bell won't work on a separate bell</i>	<i>Check the wiring of the separate button.</i>
Coupler	Remedy
<i>When I try to fire the coupler, FYS</i>	<i>You are waiting too long between whistle button presses.</i>
<i>The Proto-Coupler won't let the engine</i>	<i>Try lubricating the coupler knuckle with a dry graphite lubricant. Do NOT use oil.</i>
<i>The coupler does not fire or stay</i>	<i>The coupler needs to be cleaned. Wipe with denatured alcohol (not rubbing alcohol) and let dry.</i>

<i>Cab Chatter</i>	<i>Remedy</i>
<i>Sometimes the Cab Chatter sounds don't play.</i>	<i>Cab Chatter plays only in neutral at random intervals.</i>
<i>Lock-out</i>	<i>Remedy</i>
<i>I can't get the engine to run after I power up the transformer. It sits still with the engine sounds running.</i>	<i>The engine is locked into the neutral position. Follow the procedure in the "Lock into a Direction" section.</i>
<i>The engine won't lock into forward, neutral, or reverse.</i>	<i>Engine speed must be below 10 scale mph (approx. 10 volts or less in conventional mode).</i>
<i>Volume</i>	<i>Remedy</i>
<i>The sounds seem distorted, especially when the whistle or bell is activated.</i>	<i>Proto-Sound 2.0 volume is set too high. Turn the volume control knob on the bottom of the chassis counter-clockwise to reduce the volume.</i>
<i>Battery</i>	<i>Remedy</i>
<i>The engine will not leave the initial neutral setting.</i>	<i>Check to be sure the battery is installed and fully charged. See the "Self-Charging Battery Back-Up" section.</i>
<i>I get no sounds when the engine shifts between directions.</i>	<i>The battery may be dead or need to be charged. See the "Self-Charging Battery Back-Up" section.</i>
<i>After I turn off my transformer, my engine continues to make sounds before quitting.</i>	<i>Proto-Sound 2.0 is designed to continue to sound for a few seconds after power to the track has been shut off.</i>
<i>FYS/PSA</i>	<i>Remedy</i>
<i>The FYS/PSA sounds occasionally repeat themselves.</i>	<i>Proto-Sound 2.0 has a built-in random number generator that randomly selects each sound clip to play. Because there are a limited number of sound clips available in each FYS/PSA sequence, it is probable that some of these sound clips will be repeated from time to time.</i>

<i>FYS/PSA</i>	<i>Remedy</i>
<i>Once in FYS/PSA, the engine doesn't go into reverse.</i>	<i>So that FYS/PSA effects can be as realistic as possible, Proto-Sound 2.0 disables the reversing unit whenever FYS/PSA is enabled. This way the engine remains still at its stop as the operator cycles through the FYS/PSA sequences.</i>
<i>When the FYS/PSA enters its last sequence the bell automatically comes on.</i>	<i>FYS/PSA is programmed to start ringing the bell at that point. After approximately 12 seconds it will automatically turn off.</i>
<i>When FYS/PSA is enabled, pressing the whistle and bell buttons has no effect.</i>	<i>Because FYS/PSA must control various effects in each sequence, Proto-Sound 2.0 takes control of these sound effects until you exit FYS.</i>
<i>I push the direction button but the next sound clip in the sequence does not play or the engine does not come out of FYS/PSA after fourth press of the direction button.</i>	<i>Each FYS/PSA clip must play for approx. 30 seconds before FYS/PSA will advance to the next step in the FYS/PSA cycle. Wait at least 30 seconds in each FYS/PSA sound clip before pressing the direction button.</i>

Transformer Compatibility and Wiring Chart

Proto-Sound® 2.0 is designed to work with most standard AC transformers. The chart below lists the many compatible transformers. Note that many of the operational commands described in these instructions require a bell button, so if your transformer does not have its own bell button, you should consider adding one to get the full benefit of the system. In addition, the chart details how the terminals on these transformers should be attached to your layout.

RECOMMENDED AC TRANSFORMERS					
<i>Transformer Model</i>	<i>Center Rail</i>	<i>Outside Rail</i>	<i>Min/Max. Voltage</i>	<i>Power Rating</i>	<i>Transformer Type</i>
<i>MTH Z-500</i>	<i>Red Terminal</i>	<i>Black Terminal</i>	<i>0-18v</i>	<i>50-Watt</i>	<i>Electronic</i>
<i>MTH Z-750</i>	<i>Red Terminal</i>	<i>Black Terminal</i>	<i>0-21v</i>	<i>75-Watt</i>	<i>Electronic</i>
<i>MTH Z-1000</i>	<i>Red Terminal</i>	<i>Black Terminal</i>	<i>0-21v</i>	<i>100-Watt</i>	<i>Electronic</i>
<i>MTH Z-4000</i>	<i>Red Terminal</i>	<i>Black Terminal</i>	<i>0-22v</i>	<i>390-Watt</i>	<i>Electronic</i>
<i>Lionel 1032</i>	<i>U</i>	<i>A</i>	<i>5-16v</i>	<i>90-Watt</i>	<i>Standard</i>
<i>Lionel 1032M</i>	<i>U</i>	<i>A</i>	<i>5-16v</i>	<i>90-Watt</i>	<i>Standard</i>
<i>Lionel 1033</i>	<i>U</i>	<i>A</i>	<i>5-16v</i>	<i>90-Watt</i>	<i>Standard</i>
<i>Lionel 1043</i>	<i>U</i>	<i>A</i>	<i>5-16v</i>	<i>90-Watt</i>	<i>Standard</i>
<i>Lionel 1043M</i>	<i>U</i>	<i>A</i>	<i>5-16v</i>	<i>90-Watt</i>	<i>Standard</i>
<i>Lionel 1044</i>	<i>U</i>	<i>A</i>	<i>5-16v</i>	<i>90-Watt</i>	<i>Standard</i>
<i>Lionel 1053</i>	<i>U</i>	<i>A</i>	<i>8-17v</i>	<i>60-Watt</i>	<i>Standard</i>
<i>Lionel 1063</i>	<i>U</i>	<i>A</i>	<i>8-17v</i>	<i>60-Watt</i>	<i>Standard</i>
<i>Lionel LW</i>	<i>A</i>	<i>U</i>	<i>8-18v</i>	<i>75-Watt</i>	<i>Standard</i>
<i>Powermaster</i>	<i>U</i>	<i>A</i>	<i>8-18v</i>	<i>135VA</i>	<i>Electronic</i>
<i>All-Trol</i>	<i>Left Terminal</i>	<i>Right Terminal</i>	<i>0-24v</i>	<i>300-Watt</i>	<i>Electronic</i>
<i>Dallee Hostler</i>	<i>Left Terminal</i>	<i>Right Terminal</i>			<i>Electronic</i>
<i>Lionel LW</i>	<i>A</i>	<i>U</i>	<i>8-18v</i>	<i>75-Watt</i>	<i>Standard</i>
<i>Lionel KW</i>	<i>A or B</i>	<i>U</i>	<i>6-20v</i>	<i>190-Watt</i>	<i>Standard</i>
<i>Lionel MW</i>	<i>Outside Track Terminal</i>	<i>Inside Track Terminal</i>	<i>5-16v</i>	<i>50VA.</i>	<i>Electronic</i>
<i>Lionel RS-1</i>	<i>Red Terminal</i>	<i>Black Terminal</i>	<i>0-18v</i>	<i>50VA.</i>	<i>Electronic</i>
<i>Lionel RW</i>	<i>U</i>	<i>A</i>	<i>9-19v</i>	<i>110-Watt</i>	<i>Standard</i>
<i>Lionel SW</i>	<i>U</i>	<i>A</i>	<i>Unknown</i>	<i>130-Watt</i>	<i>Standard</i>
<i>Lionel TW</i>	<i>U</i>	<i>A</i>	<i>8-18v</i>	<i>175-Watt</i>	<i>Standard</i>
<i>Lionel ZW</i>	<i>A,B,C or D</i>	<i>U</i>	<i>8-20v</i>	<i>275-Watt</i>	<i>Standard</i>
<i>Lionel Post-War Celebration Series ZW</i>	<i>A,B,C or D</i>	<i>Common</i>	<i>0-20v</i>	<i>135/190 Watt</i>	<i>Electronic</i>

* Conventional Mode Only

Additional Features Accessible With The DCS Remote Control System

(Additional equipment required)

While conventional mode operation of a Proto-Sound 2.0 engine yields wonderfully realistic sound and several train control features, command mode operation allows the user to access a world of command functions never before accessible to O Gauge railroaders. With the addition of the DCS Remote Control System (including a DCS remote handheld and Track Interface Unit) users gain many advanced features, including:

- DCS Proto-Speed Control - Establishes desired locomotive speed in scale miles per hour increments via a thumbwheel control and allows operator to set maximum speed and acceleration/deceleration rates
- ProtoSmoke™ Variable Output Control - Controls how much smoke each engine outputs and matches smoke to locomotive speed
- Locomotive Lighting Control - Controls locomotive headlights, marker and interior lights, beacon lights, ditch lights, and MARS lights
- Emergency Stop-Single button push stops all Proto-Sound 2.0 trains but does not turn off the power
- One Touch Global Mute/UnMute-Single button mutes or unmutes all DCS-controlled locomotives' user-defined actions, including sound, lights, and smoke
- Proto-Dispatch Operation-Public Address-like feature allows users to speak through locomotive speaker during operation
- Proto-Cast-Allows users to play audio recordings through locomotive speaker during operation
- Proto-Doppler Sound Effects Set Up-Users can configure locomotive for Doppler Operation, including setting distance points for Doppler start, repeat, and stop modes
- Independent Volume Control of Engine Sounds, Bell, Horn & Whistle for each Locomotive
- Control up to 50 different DCS-Equipped Locomotives at one time with multiple TIUs
- Proto-Effects™ Set Up-User can select individual Proto-Effects™ operations to be active or inactive, including cab chatter, train wreck sounds, coupler sounds, Direction Control Set Up-User can set initial individual start-up direction (start in forward or reverse) for double-heading operations
- Locomotive Consist Set-up-User can determine locomotive values for consist make-ups, allowing multiple locomotives belonging to a consist to operate together

Service & Warranty Information

How to Get Service Under the Terms of the Limited One-Year Warranty

When you suspect an item is defective, please check the operator's manual for standard operation and troubleshooting techniques that may correct the problem. Additional information may be found on the M.T.H. Website. Should you still require service, follow the instructions below to obtain warranty service.

First, e-mail, write, call or fax M.T.H. Electric Trains or a M.T.H. Authorized Service Center (ASC) in your area to obtain Repair Authorization. You can find the list of ASCs on the M.T.H. Website, www.mth-railking.com. Authorized Service Centers are required to make warranty repairs on items sold *only* from that store; all other repairs may-- or may not be done at the store's own discretion. If you did not purchase the item directly from the ASC, you will need to select a National Authorized Service Center (NASC) or contact M.T.H. Electric Trains directly. NASC Dealers are compensated by M.T.H. to perform warranty service for any customer whose repair qualifies for warranty service. A list of NASC retailers can be located on the M.T.H. Website or by calling 410-381-2580. Should the warranty no longer apply, you may choose either an ASC or NASC retailer to service your M.T.H. Product. A reasonable service fee will be charged.

CAUTION: Make sure the product is packed in its original factory packaging including its foam and plastic wrapping material to prevent damage to the merchandise. There is no need to return the entire set if only one of the components is in need of repair *unless otherwise instructed by the Service Center*. **The shipment must be prepaid and we recommend that it be insured. A cover letter including your name, address, daytime phone number, e-mail address (if available), Return Authorization number (if required by the service center, a copy of your sales receipt and a full description of the problem must be included to facilitate the repairs. Please include the description regardless of whether you discussed the problem with a service technician when contacting the Service Center for your Return Authorization.**

Please make sure you have followed the instructions carefully before returning any merchandise for service. Authorized M.T.H. Service Centers are independently owned and operated and are not agents or representatives of M.T.H. Electric Trains. M.T.H. assumes no responsibility, financial or otherwise, for material left in their possession, or work done, by privately owned M.T.H. Authorized Service Centers. If you need assistance at any time email MTH Service at service@mth-railking.com, or call 410 381-2580.

Limited One-Year Warranty

All M.T.H. products purchased from an Authorized M.T.H. Retailer are covered by this warranty. See our Website to identify an Authorized M.T.H. Retailer near you.

M.T.H. products are warranted for one year from the date of purchase against defects in material or workmanship, excluding wear items such as light bulbs, pick-up rollers, batteries, smoke unit wicks, and traction tires. We will replace or credit (at our option) any defective item with a manufactured suggested retail price of \$279.95 or less (excluding all motive power and electronic items), if the item is returned to an M.T.H. Authorized Service Center (ASC) or M.T.H. National Authorized Service Center (NASC) within one year of the original date of purchase. For any item with an MSRP greater than \$279.95 (including all motive power and electronics), We will repair, replace or credit (at our option) the defective item without charge for the parts or labor, if the item is returned to an M.T.H. Authorized Service Center (ASC) or M.T.H. National Authorized Service Center (NASC) within one year of the original date of purchase. This warranty does not cover damages caused by improper care, handling, or use. Transportation costs incurred by the customer to ship the product for warranty service are not covered under this warranty.

Items sent for repair must be accompanied by a return authorization number, a description of the problem, and a copy of the original sales receipt from an Authorized M.T.H. Retailer stating the date of purchase. If you are sending this product to an Authorized Service Center, contact that Center for their return authorization.

This warranty gives you specific legal rights, and you may have other rights that vary from state to state. Specific questions regarding the warranty may be forwarded to M.T.H. directly.

Service Department
M.T.H. Electric Trains
7020 Columbia Gateway Drive
Columbia MD 21046-1532
410-381-2580
service@mth-railking.com