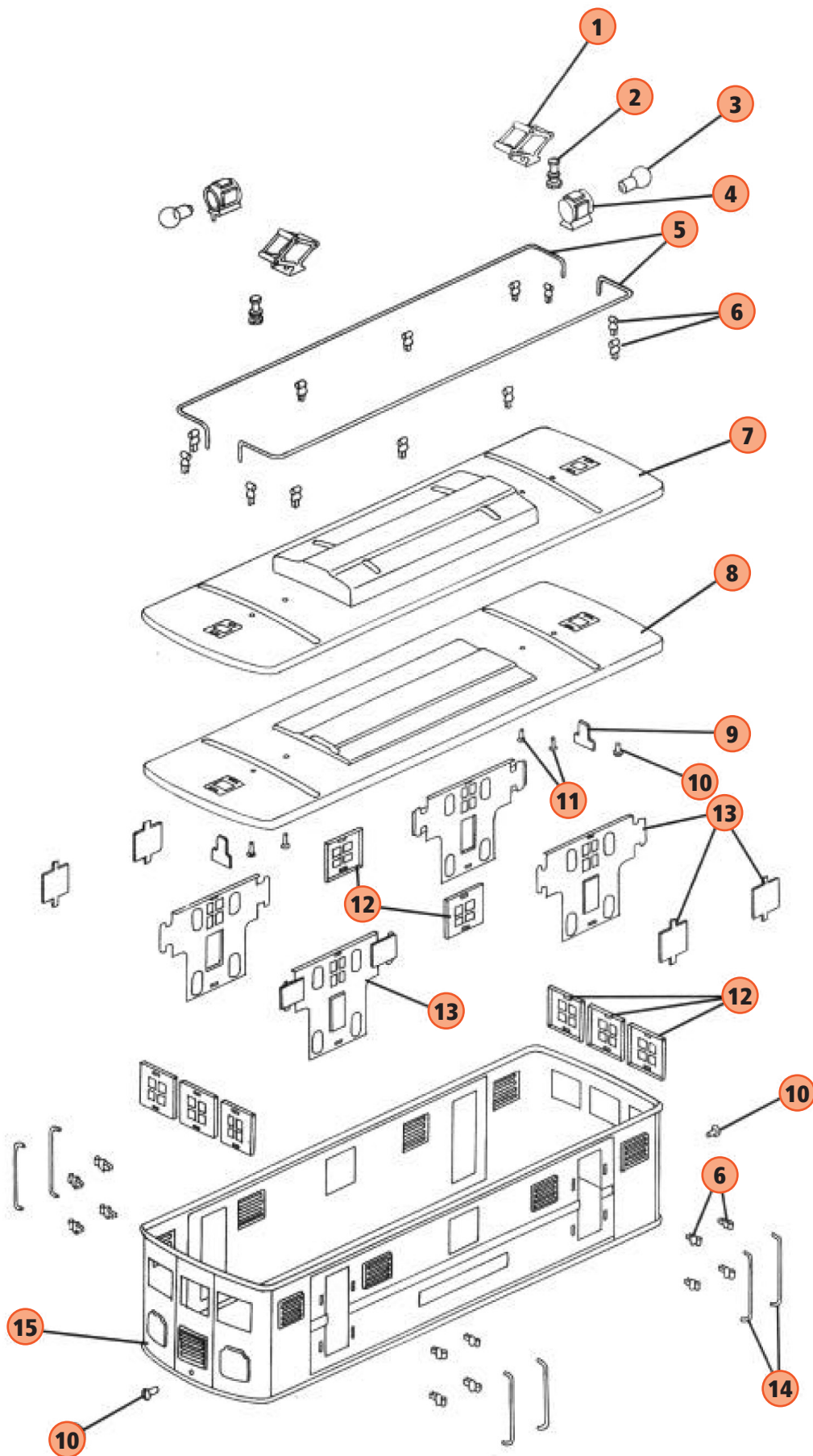


NO. 9E ELECTRIC LOCOMOTIVE: CAB VIEW

1. **TP-SE00028**
PANTOGRAPH ((BRASS))
2. **TP-SE00038**
WHISTLE LARGE (BRASS)
3. **TP-SE00039**
WHISTLE LARGE (NICKEL)
4. **TP-MS00016**
BULB
5. **TP-SE00015**
HEADLIGHT GOLD CAST
6. **TP-SE00016**
HEADLIGHT (NICKEL) CAST
7. **UNDEFINED**
8. **UNDEFINED**
9. **TP-MS00071**
HANDRAIL STANCHIONS (BRASS)
10. **TP-MS00039**
HANDRAIL STANCHIONS (NICKEL)
11. **UNDEFINED**
12. **UNDEFINED**
13. **TP-MS00038**
HEADLIGHT INSERT
14. **TP-MS00059**
SCREW 6/32 X 3/16
15. **TP-MS00056**
SCREW 4/40 X 1/4
16. **TP-SL00132**
WINDOW (BRASS)
17. **UNDEFINED**
18. **TP-SE00048**
HAND RAIL (BRASS)
19. **TP-SE00051**
HAND RAIL (NICKEL)
20. **UNDEFINED**



NO. 9E ELECTRIC LOCOMOTIVE: CHASSIS VIEW

1. **TP-SL00061**
FLAG
2. **TP-SL00062**
FLAG STANCHION (BRASS)
3. **TP-SL00063**
FLAG STANCHION (NICKEL)
4. **TP-MS00071**
HANDRAIL STANCHIONS (BRASS)
5. **TP-MS00039**
HANDRAIL STANCHIONS (NICKEL)
4. **UNDEFINED**
5. **TP-MS00048**
MARKER LAMP (BRASS)
6. **TP-MS00020**
COUPLER LONG SHANK W/SPRING
7. **TP-SE00044**
STEP
8. **TP-OE00071**
AIR TANK ((BRASS))
8. **TP-OE00072**
AIR TANK (NICKEL)
9. **UNDEFINED**
10. **TP-SE00018**
JOURNAL (BRASS EAGLE)
10. **TP-SE00019**
JOURNAL (NICKEL EAGLE)
11. **TP-MS00027**
COUPLER STUD
12. **TP-OT00013**
C-CLIP
13. **TP-MS00056**
SCREW 4/40 X 1/4
14. **TP-SE00011**
MOTOR MOUNT BRACKET
15. **TP-MS00013**
BUILD-A-LOCO MOTOR
16. **TP-MS00014**
BUILD-A-LOCO MOTOR RIVET SHORT
17. **TP-MS00060**
SCREW 6-32 X 5/16"
18. **TP-SL00140**
TRUCK TRAILING FRAME
19. **TP-SL00012**
AXLE
20. **TP-SL00114**
WHEEL LEAD & TRAILING RED SPOKE
20. **TP-SL00115**
WHEEL LEAD & TRAILING BLACK SPOKE
21. **TP-ST00013**
COTTER PIN
22. **TP-SL00152**
TRUCK TRAILING COMPLETE W/ RED WHEELS
23. **TP-SE00025**
MOTOR COMPLETE RED WHEELS
23. **TP-SE00026**
MOTOR COMPLETE BLACK WHEELS

