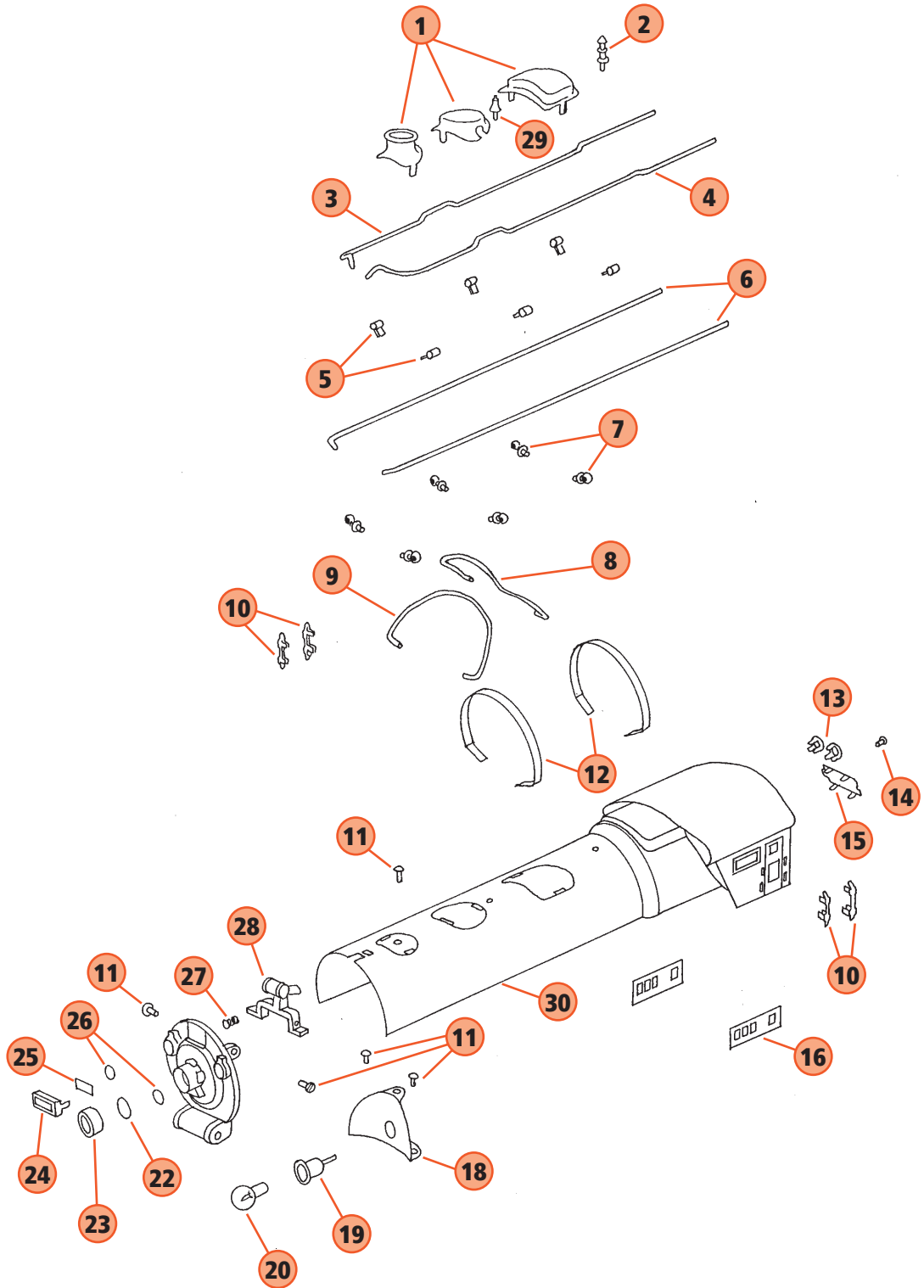


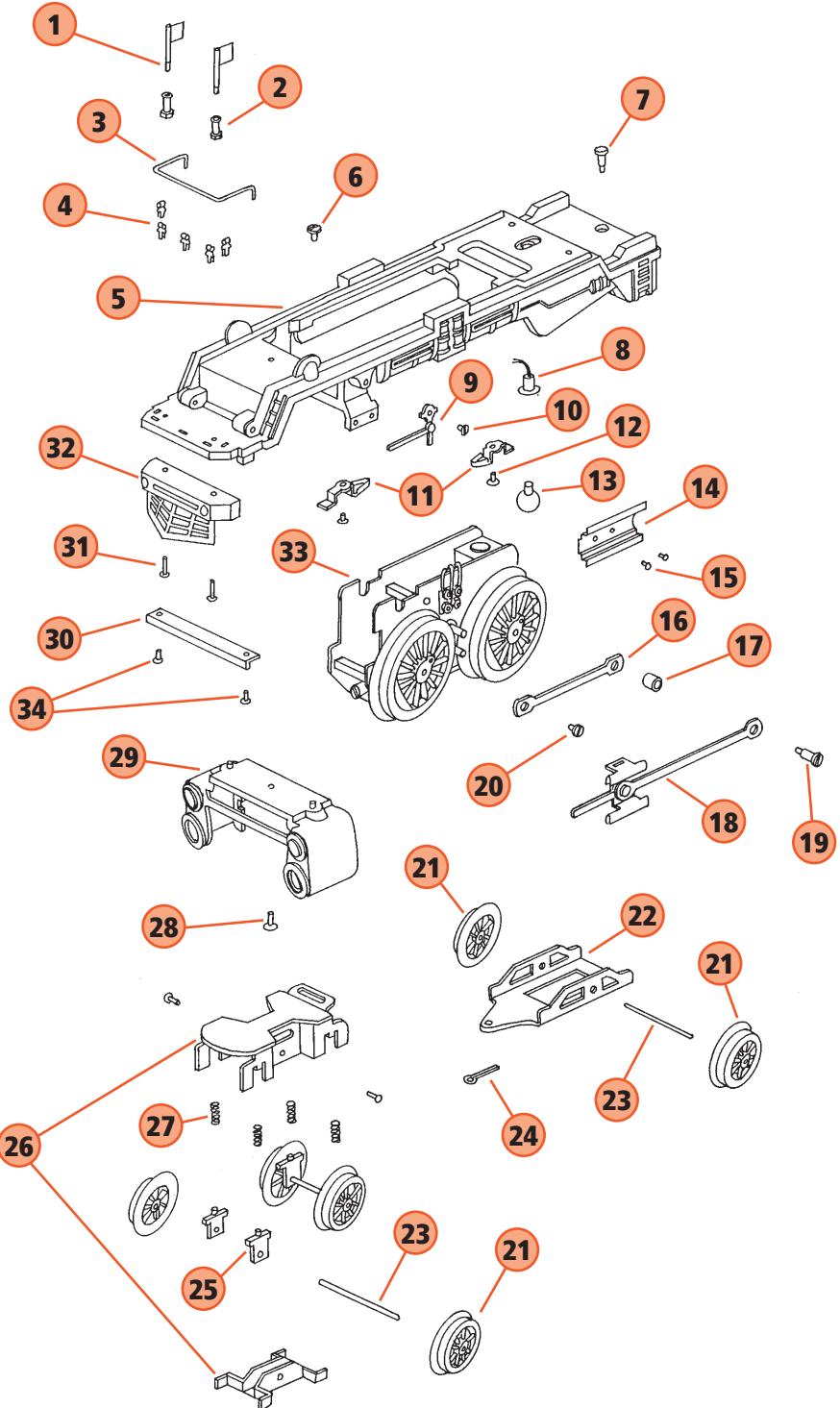
NO. 392 STEAM LOCOMOTIVE: BOILER VIEW

1. [TP-SL00053](#)
DOME SET (BRASS)
2. [TP-SL00054](#)
DOME SET (NICKEL)
3. [TP-MS00069](#)
WHISTLE SMALL (BRASS)
4. [TP-MS00070](#)
WHISTLE SMALL (NICKEL)
3. **UNDEFINED**
4. **UNDEFINED**
5. [TP-MS00066](#)
STANCHION STEAMPIPE (BRASS)
6. [TP-MS00067](#)
STANCHION STEAMPIPE (NICKEL)
6. **UNDEFINED**
7. [TP-SL00099](#)
STANCHIONS TURNED (BRASS)
8. [TP-SL00100](#)
STANCHIONS TURNED (NICKEL)
8. **UNDEFINED**
9. **UNDEFINED**
10. [TP-SL00070](#)
HANDRAIL, CAB (BRASS)
11. [TP-SL00071](#)
HANDRAIL, CAB (NICKEL)
11. [TP-MS00060](#)
SCREW 6-32 X 5/16"
12. [TP-SL00016](#)
BOILER BANDS - COPPER
13. [TP-SL00017](#)
BOILER BANDS (NICKEL)
13. [TP-MS00046](#)
MARKET LIGHT (BRASS)
14. [TP-MS00047](#)
MARKER LIGHT (NICKEL)
14. [TP-MS00059](#)
SCREW 6-32 X 3/16"
15. [TP-SL00058](#)
FIRE BOX DOOR (BRASS)
16. [TP-SL00059](#)
FIRE BOX DOOR (NICKEL)
16. [TP-SL00130](#)
WINDOW (BRASS)
17. [TP-SL00131](#)
WINDOW (NICKEL)
17. [TP-MS00062](#)
SCREW 6/32 X 3/4
18. **UNDEFINED**
19. [TP-MS00045](#)
LAMP SOCKET
20. [TP-MS00016](#)
BULB
21. [TP-SL00019](#)
BOILER FRONT
22. [TP-SL00029](#)
BOILER FRONT LENS PLASTIC
23. [TP-SL00023](#)
BOILER FRONT TRIM RING (BRASS)
24. [TP-SL00024](#)
BOILER FRONT TRIM RIM (NICKEL)
24. [TP-SL00030](#)
BOILER FRONT NAMEPLATE BRACKET (NICKEL)
25. [TP-SL00029](#)
SPECIFY LOCO #, COLOR
BOILER FRONT LENS PLASTIC
26. [TP-SL00035](#)
BOILER FRONT LENS (RED)
27. [TP-SL00031](#)
BOILER FRONT SPRING
28. [TP-SL00073](#)
LATCH
29. [TP-SL00133](#)
BELL (BRASS)
30. [TP-SL00134](#)
BELL (NICKEL)
30. **UNDEFINED**



NO. 392 STEAM LOCOMOTIVE: CHASSIS

- | | | |
|---|--|---|
| <p>1. TP-SL00053
DOME SET (BRASS)</p> <p>2. TP-SL00062
FLAG STANCHION (BRASS)</p> <p>TP-SL00063
FLAG STANCHION (NICKEL)</p> <p>3. TP-SL00136
DECK HANDRAIL (BRASS)</p> <p>TP-SL00137
DECK HANDRAIL (NICKEL)</p> <p>4. TP-MS00071
HANDRAIL STANCHIONS (BRASS)</p> <p>TP-MS00039
HANDRAIL STANCHIONS (NICKEL) 50 PER BAG</p> <p>5. TP-SL00065
FRAME</p> <p>6. TP-SL00155
SCREW LEADING TRUCK</p> <p>7. TP-SL00057
DRAWBAR SCREW</p> <p>8. TP-MS00045
LAMP SOCKET</p> <p>9. TP-SL00111
VALVE GEAR</p> <p>10. TP-SL00113
VALVE GEAR</p> <p>11. TP-MS00013
BUILD-A-LOCO MOTOR</p> <p>12. TP-MS00015
BUILD-A-LOCO MOTOR RIVET LONG</p> <p>13. TP-MS00017
BULB</p> <p>14. TP-SL00048
CROSSHEAD GUIDE</p> <p>15. TP-SL00049
CROSSHEAD SCREW 2 PER SIDE</p> <p>16. TP-SL00093
SIDE ROD</p> <p>17. TP-SL00095
SIDE ROD SPACER</p> <p>18. TP-SL00076
MAIN ROD W/ CROSSHEAD ASSEMBLY</p> <p>19. TP-SL00043
CRANK PIN SCREW SHOULDERED LONG</p> <p>20. TP-SL00042
CRANK PIN SCREW SHOULDERED SHORT</p> <p>21. TP-SL00114
WHEEL LEAD & TRAILING RED SPOKE</p> <p>TP-SL00115
WHEEL LEAD & TRAILING BLACK SPOKE</p> <p>22. TP-SL00108
TRUCK TRAILING FRAME</p> <p>23. TP-SL00012
AXLE</p> <p>24. TP-ST00013
COTTER PIN</p> <p>25. TP-SL00109
TRUCK BEARING LEADING & TRAILING</p> <p>26. TP-SL00156
TRUCK LEADING</p> | <p>27. TP-SL00110
TRUCK SPRING LEADING & TRAILING</p> <p>28. TP-MS00064
SCREW 8/32 X 5/16</p> <p>29. TP-SL00102
STEAM CHEST</p> <p>30. TP-SL00090
PILOT TRUCK GUIDE (LEADING TRUCK)</p> <p>31. TP-MS00061
SCREW 6/32 X 1/2</p> | <p>32. TP-SL00089
PILOT STEEL</p> <p>33. TP-SL00080
MOTOR COMP. BAL STEAM W/RED WHEELS</p> <p>TP-SL00081
MOTOR COMP BAL STEAM W/BLACK WHEELS</p> <p>34. TP-MS00060
SCREW 6-32 X 5/16"</p> |
|---|--|---|



NO. 392 STEAM LOCOMOTIVE: TENDER VIEW

1. [TP-ST00011](#)
COAL PILE
2. [TP-ST00046](#)
TENDER DECK HANDRAIL (BRASS)
3. [TP-ST00047](#)
TENDER DECK HANDRIAL (NICKEL)
4. [TP-MS00071](#)
HANDRAIL STANCHIONS (BRASS)
5. [TP-MS00039](#)
HANDRAIL STANCHIONS (NICKEL)
6. [TP-MS00056](#)
SCREW 4/40 X 1/4
7. [TP-SP00038](#)
HANDRAIL (BRASS)
8. [TP-SP00039](#)
HANDRAIL (NICKEL)
9. [TP-ST00020](#)
LADDER (BRASS)
10. [TP-ST00021](#)
LADDER (NICKEL)
11. [TP-ST00045](#)
CAST TOP
12. [TP-SE00048](#)
HAND RAIL (BRASS)
13. [TP-SE00051](#)
HAND RAIL NICKLE
14. [TP-ST00025](#)
TENDER STEP
15. [TP-OT00028](#)
WASHER
16. [TP-OT00013](#)
C-CLIP
17. [TP-MS00020](#)
COUPLER LONG SHANK W/SPRING
18. [TP-ST00014](#)
COUPLER POCKET SQUARE
19. **UNDEFINED**
20. [TP-ST00019](#)
DRAWBAR
21. [TP-ST00030](#)
TRUCK 6 WHEEL W/PICKUP (BRASS)
22. [TP-ST00029](#)
TRUCK 6 WHEEL W/O PICKUP (NICKEL)
23. [TP-MS00041](#)
JOURNAL (BRASS)
24. [TP-MS00042](#)
JOURNAL (NICKEL)
25. [TP-MS00043](#)
JOURNAL (COPPER)
26. [TP-ST00036](#)
TRUCK CROSSBRACE
27. [TP-ST00038](#)
WHEEL
28. [TP-ST00039](#)
WHEEL WASHER
29. [TP-SF00010](#)
AXLE
30. [TP-MS00074](#)
NUT 4/40
31. [TP-MS00036](#)
FIBER INSULATOR
32. **UNDEFINED**
33. [TP-MS00055](#)
SCREW 4/40 X 3/16
34. [TP-MS00051](#)
PICKUP ROLLER
35. [TP-MS00050](#)
PICKUP BRACKET
36. [TP-MS00052](#)
PICKUP SPRING

